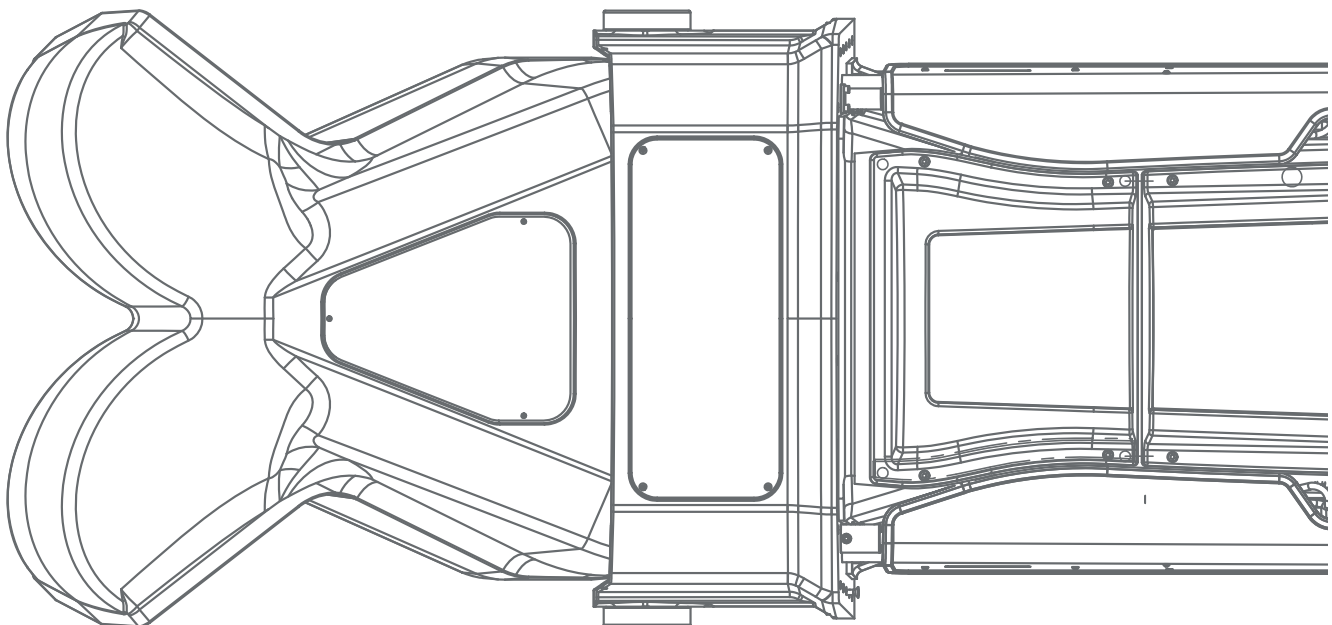




# ***PARTS CATALOGUE***

**042**

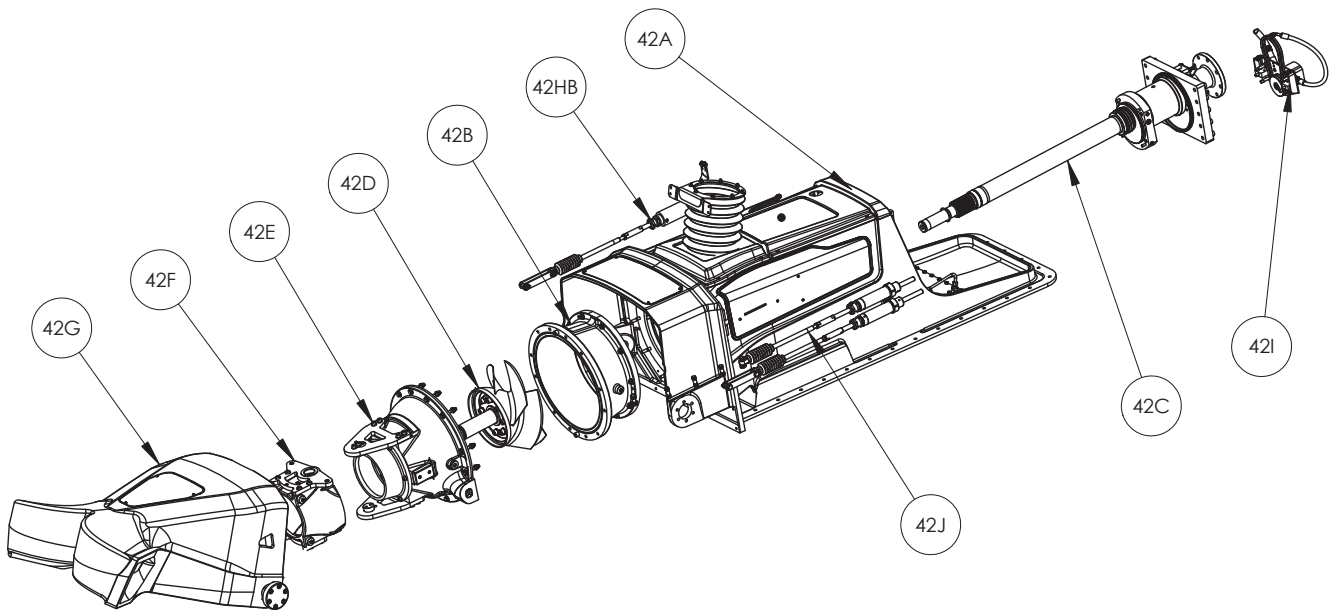


---

## TABLE OF CONTENT

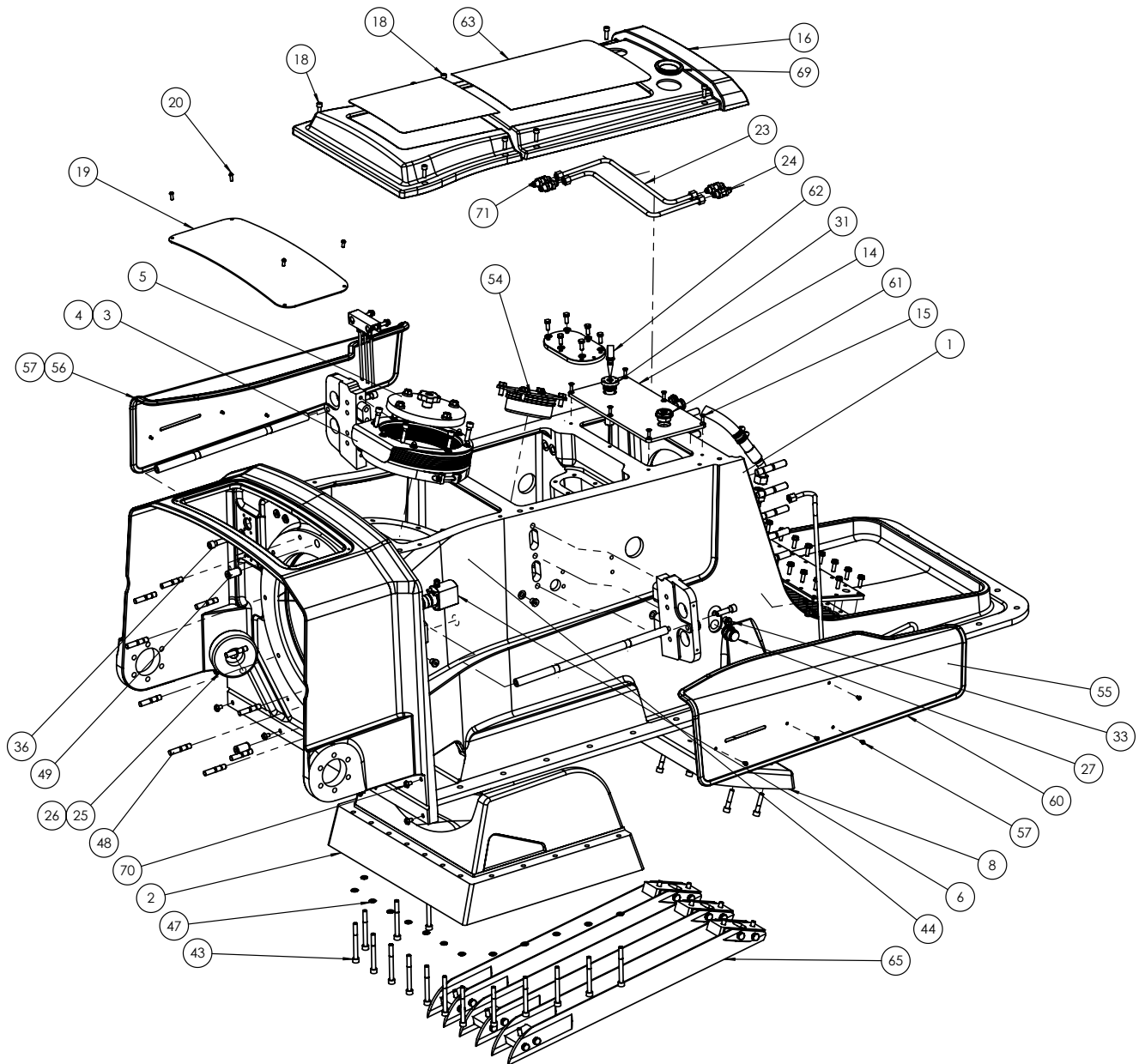
1. O42 MAIN STRUCTURE.....	3
2. 42A FRAME.....	4
2.1. 11720 Inspection hatch collar.....	8
2.2. 12198 Suction tunnel anode.....	9
3. 42B IMPELLER CONE.....	10
4. 42C BEARING AND MAIN SHAFT.....	11
4.1. 12251 Middle flange.....	14
5. 42D IMPELLER.....	15
6. 42E STATOR.....	16
6.1. 12145 Rear bearing assembly.....	17
7. 42F STEERING NOZZLE.....	18
8. 42G REVERSING DEFLECTOR.....	19
9. 42HB HYDRAULIC CYLINDER.....	20
10. 42I OIL PUMP.....	21
10.1. 11808A Hydraulic reservoir.....	23
11. 42J HYDRAULIC CYLINDER.....	24
11.1. 11670 Bushing.....	25

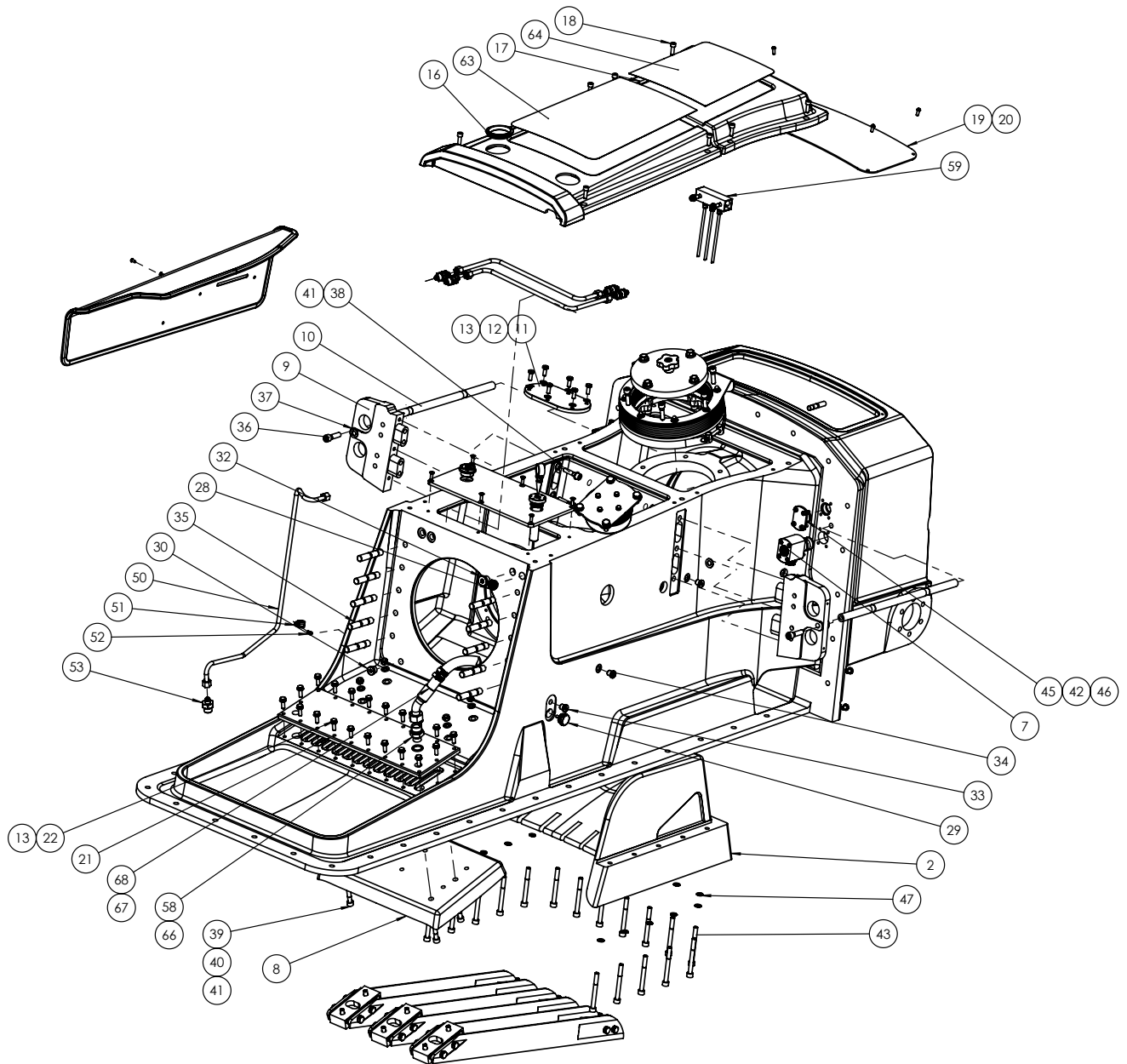
## 1. 042 MAIN STRUCTURE



42A	Frame
42B	Impeller cone
42C	Bearing and main shaft
42D	Impeller
42E	Stator
42F	Steering nozzle
42G	Reversing deflector
42H	Hydraulic cylinder
42HB	Hydraulic cylinder
42I	Oil pump
42J	Hydraulic cylinder

## 2. 42A FRAME



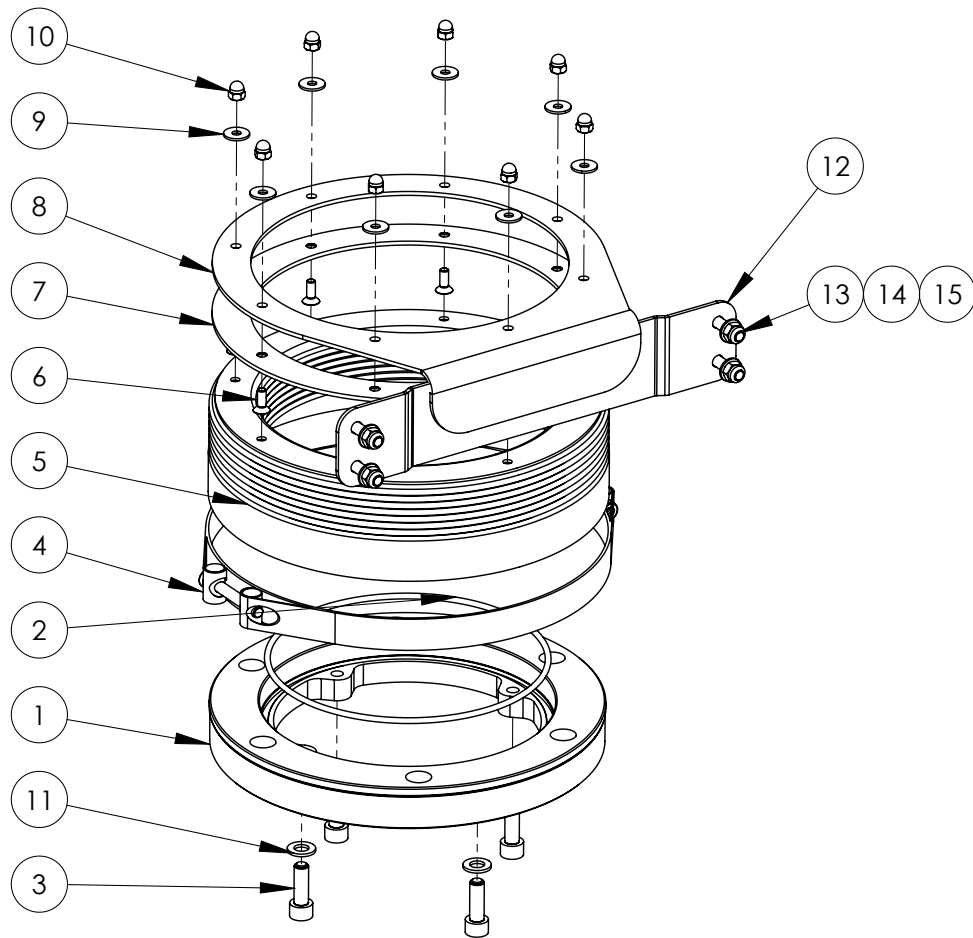


Pos.	Code	Description	Qty
1	11709K	Frame	1
2	*	MIG module	1
3	11720	Inspection hatch collar	1
4	R01100402	Hex socket screw M10	6
5	11721	Inspection hatch lid	1
6	11670Y	Lead-in bushing	1
7	11670A	Lead-in bushing	2
8	12312K	Front piece	1
9	11754	Cylinder bracket	2
10	11766	Support bar	2
11	11810	Lid	1
12	R04080202	Hex screw M8	6
13	R10080002	Washer M8	26
14	11809	Oil reservoir lid	1
15	R02060202	Hex socket screw M6	6
16	11802	Front lid	1
17	11801	Rear lid	1
18	R01080252	Hex socket screw M8	8
19	11825	Cover plate splash guard	1
20	R09060162	Hex socket screw M6	4
21	11781	Cooler cover	1
22	R04080252	Hex screw M8	20
23	11933	Pipe	2
24	P0511	Bulkhead	2
25	K0539	Anode	2
26	R04120302	Hex screw M12	2
27	P0408	Drain plug	1
28	P0399	Breather	1
29	P0400	Magnetic plug G3/4	1
30	P0715	Plug VSTI	1
31	12322	Support sleeve	1
32	P0717	Plug VSTI	1
33	P0719	Plug VSTI	2
34	P0718	Plug VSTI	8
35	R09160702	Stud bolt M16x70	10
36	R01120452	Hex socket screw M12	4
37	R10120002	Washer M12	4
38	R01100452	Hex socket screw M10	6
39	R01100502	Hex socket screw M10	4
40	R31100002	Locking Nut M10	4
41	R10100002	Washer M10	10

42	R01060202	Hex socket screw M6	4
43	R01101002	Hex socket screw M10	17
44	R05100162	Set screw, cup point M10	4
45	11946	Plug	1
46	T0000027	O-ring	2
47	R16100002	WL washer M10	17
48	R09120502	Stud bolt M12x50	10
49	11877	Dowel pin	2
50	12025	Pipe	1
51	P0726	Tube clip	1
52	R01050122	Hex socket screw M5	1
53	P0509	Straight JIC fitting	1
54	12198	Suction tunnel anode	1
55	11783SB	Cover starboard	1
56	11783P	Cover port	1
57	R09050102	Hex socket screw M5	8
58	P0619	Coupling	1
59	12242	Ventilation cover	1
60	5784_2190	Edge protector	2
61	P0418	Plastic plug	1
62	P0419	Oil dipstick	1
63	12439	Anti slip sheet	1
64	12440	Anti slip sheet	1
65	12435M1	Screen spikes	3
66	P0414	Usit seal	1
67	P0730	Hose clamp	2
68	12240	Hose assembly	1
69	P0424	Rubber plug	1
70	11038	Plastic plug M8	8
71	P0511	Bulkhead	2

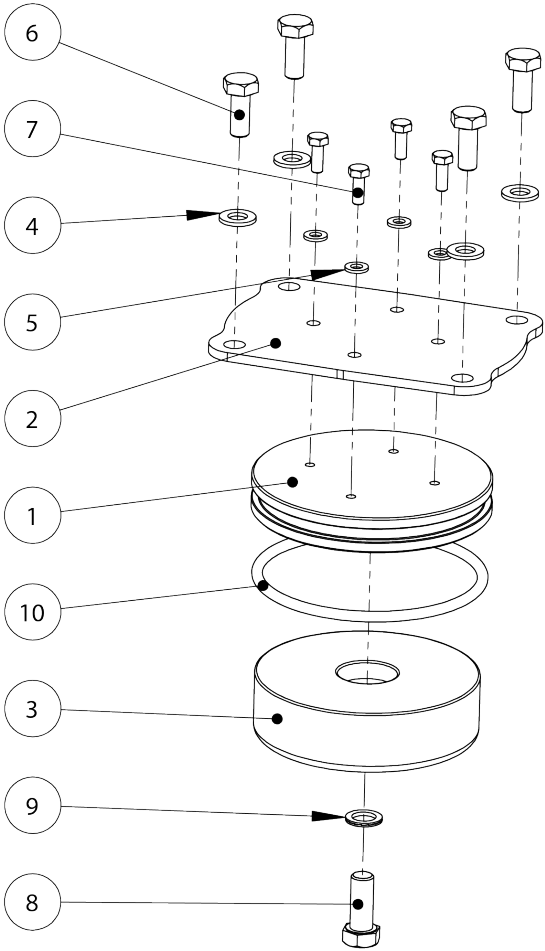
\*Code depends on MIG type

**2.1. 11720 Inspection hatch collar**



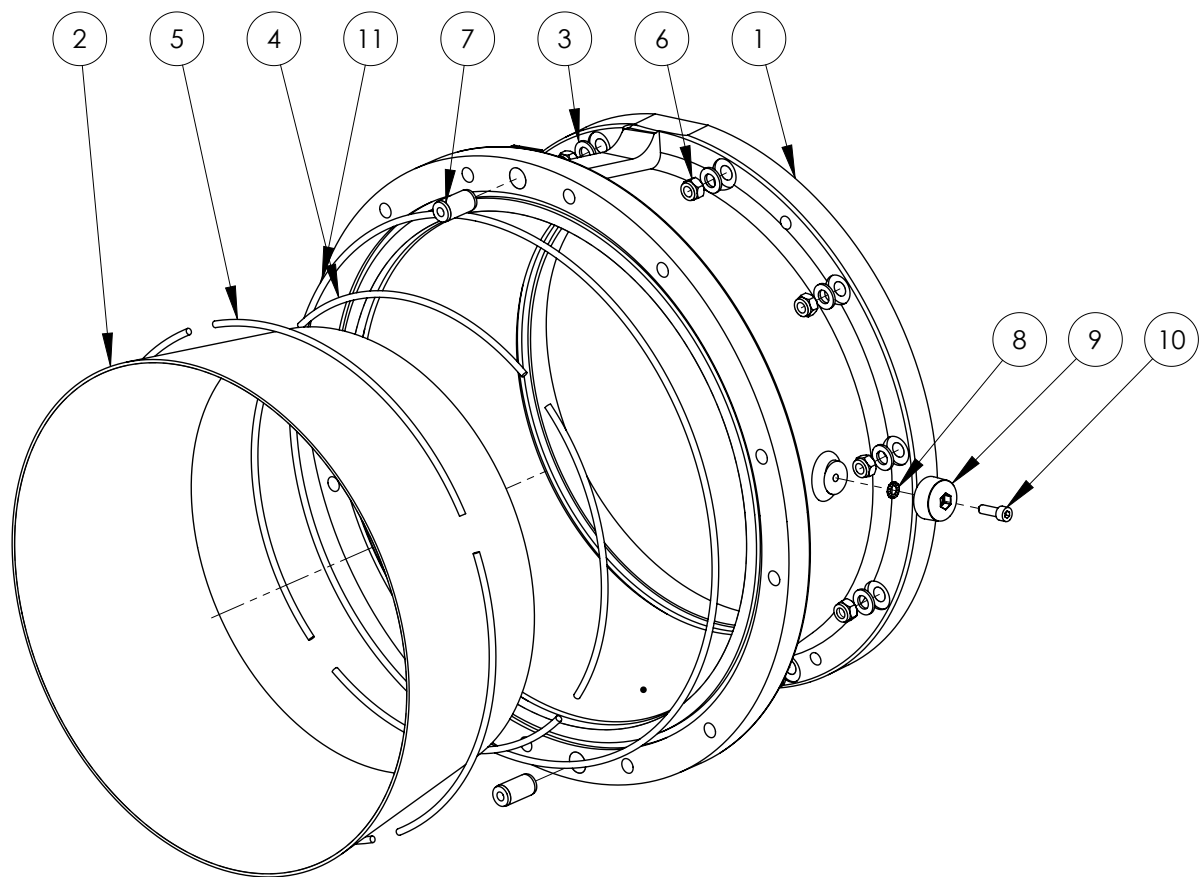
Pos.	Code	Description	Qty
1	11667	Inspection hole	1
2	T0000190	O-ring	1
3	R01100302	Hex socket screw M10	4
4	P0724	Double bolt hose clamp	1
5	P0725	Rubber bellow	1
6	R02060162	Hex socket screw M6	8
7	11660	Lower plate	1
8	11661	Upper plate	1
9	R11060002	LOD washer M6	8
10	R32060002	Cap nut	8
11	R10100002	Washer M10	4
12	11665	Holder	1
13	R04080302	Hex screw M8	4
14	R31080002	Locking Nut M8	4
15	R10080002	Washer M8	4



**2.2. 12198 Suction tunnel anode**

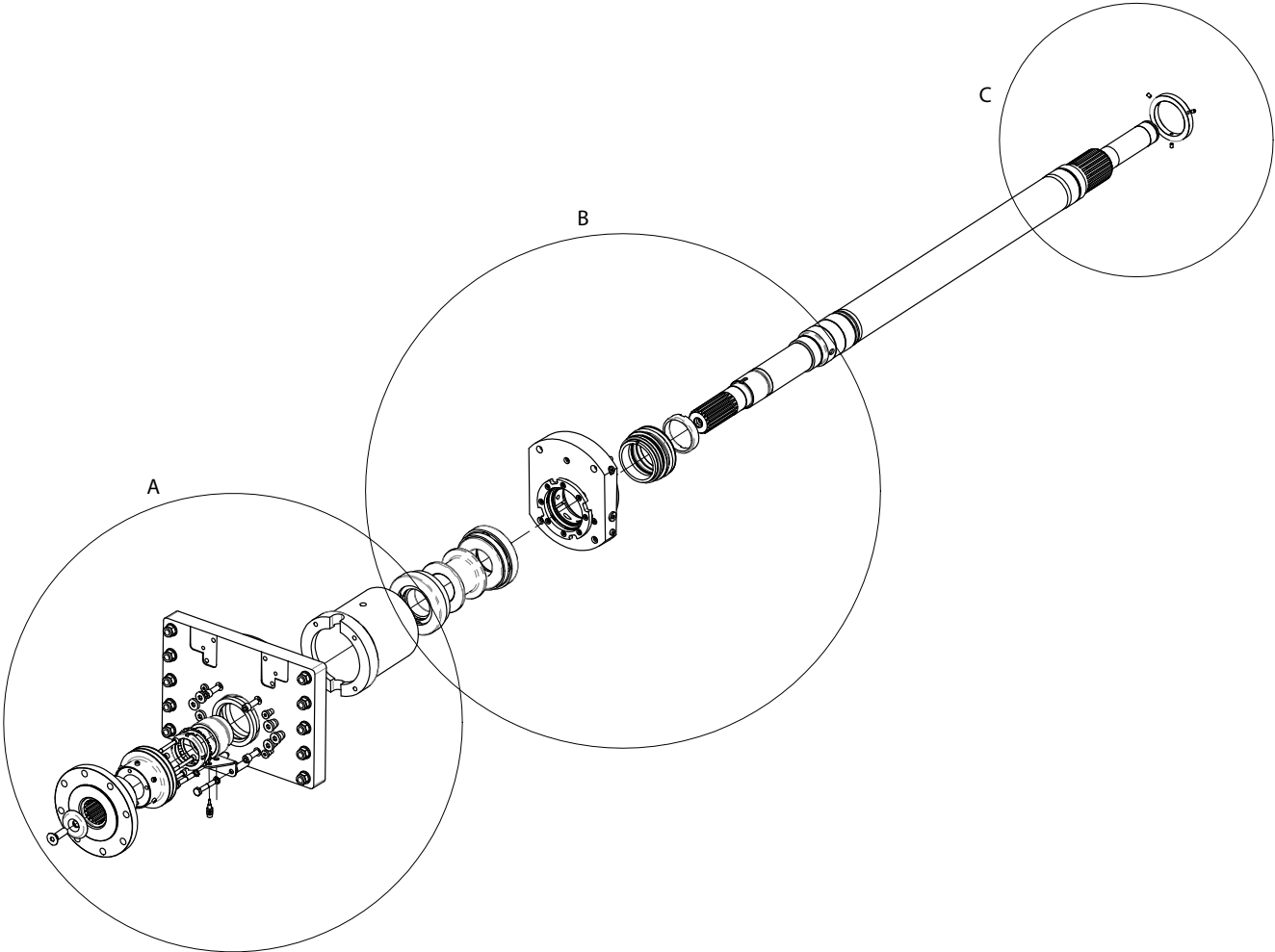
Pos.	Code	Description	Qty
1	11811	Anode mounting plate	1
2	11812	Anode lid	1
3	K0539	Anode	1
4	R10100002	Washer M10	4
5	R10060002	Washer M6	4
6	R04100252	Hex screw M10	4
7	R04060162	Hex screw M6	4
8	R04120302	Hex screw M12	1
9	R16120002	WL washer M12	1
10	T0000110	O-ring	1

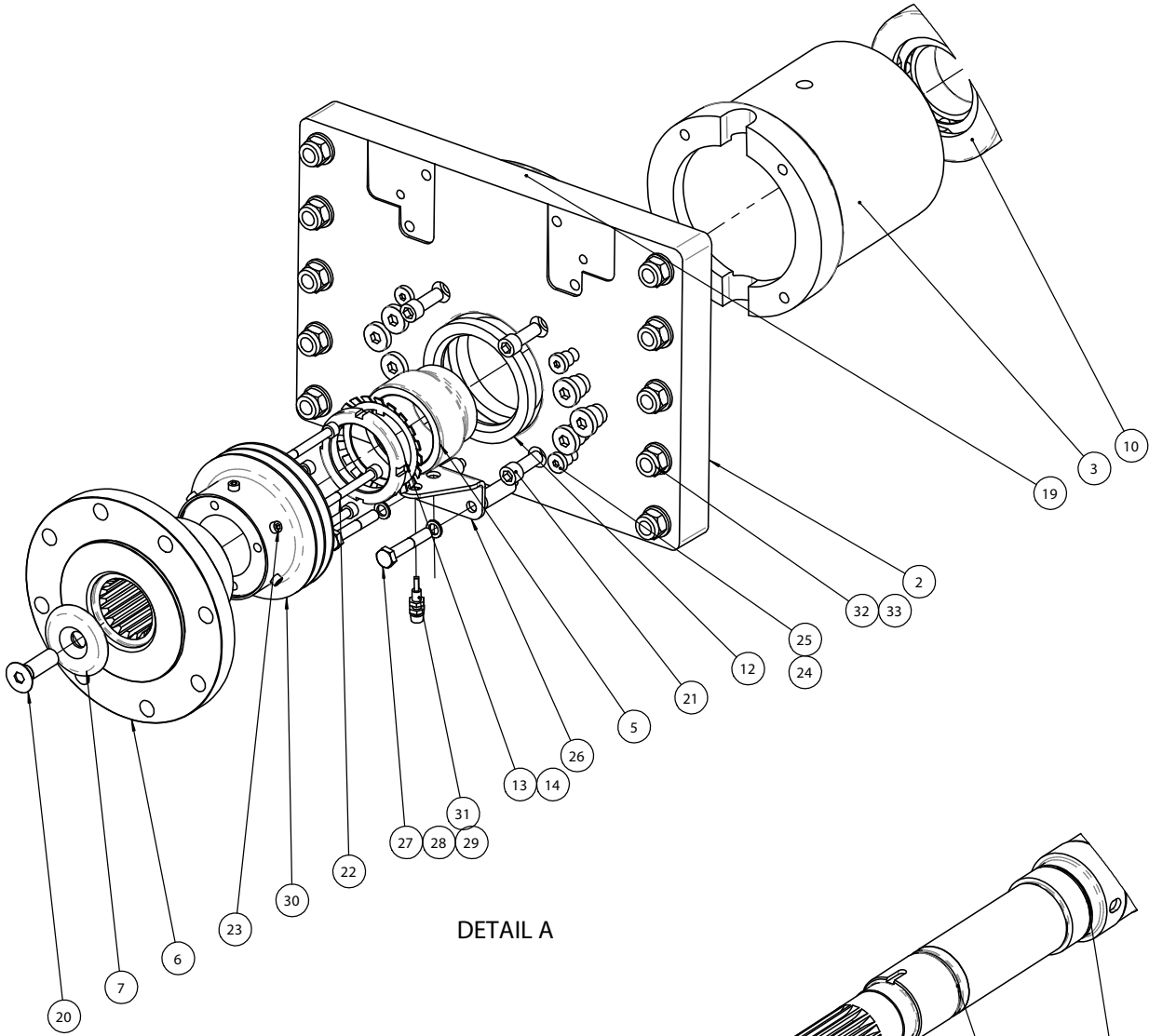
### 3. 42B IMPELLER CONE



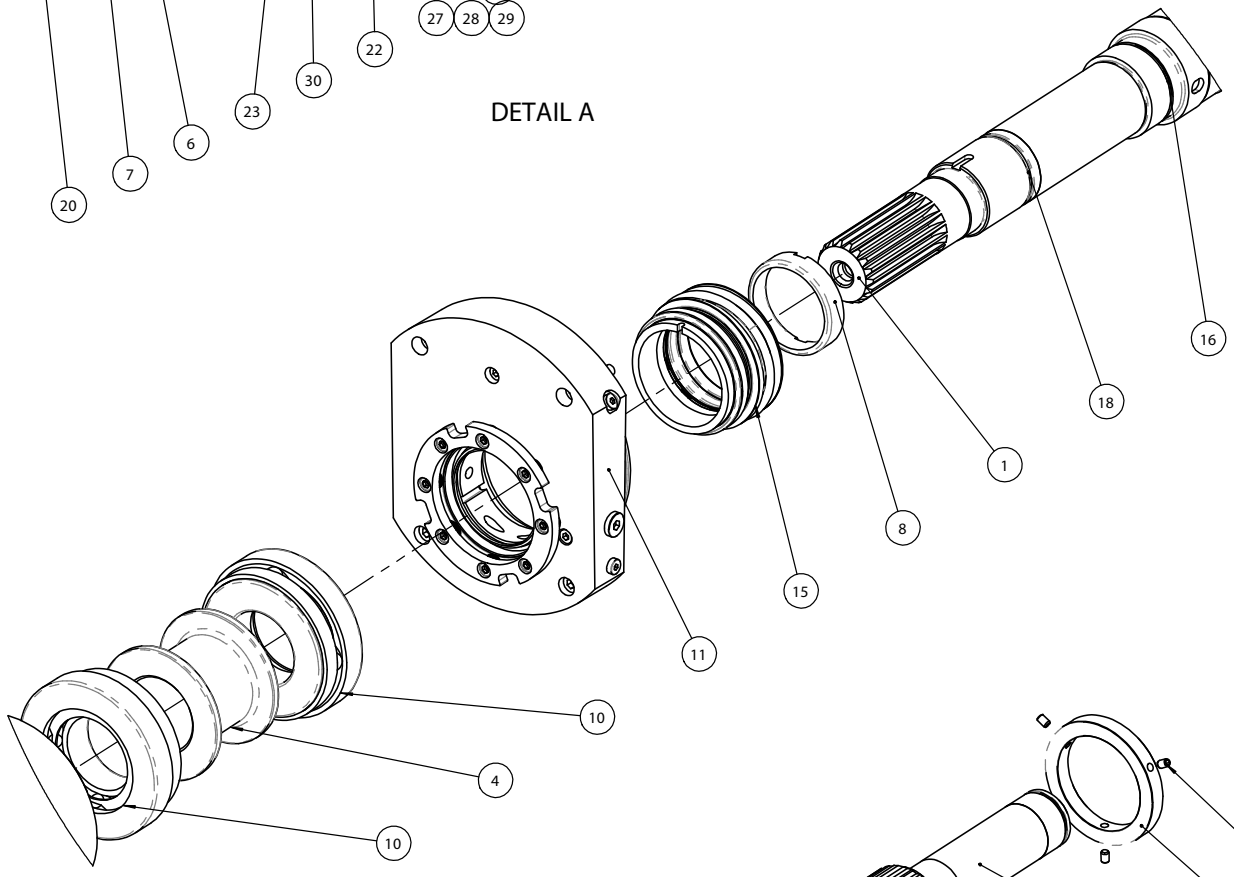
Pos.	Code	Description	Qty
1	11677	Impeller cone	1
2	11651	Cone	1
3	R10120002	Washer M12	10
4	T3025006001	O-ring cord	4
5	T3485006001	O-ring cord	4
6	R31120002	Locking Nut M12	10
7	11877	Dowel pin	2
8	R12080002	SL washer M8	2
9	10409	Anode	2
10	R01080252	Hex socket screw M8	2
11	T5150006001	O-ring	1

**4. 42C BEARING AND MAIN SHAFT**

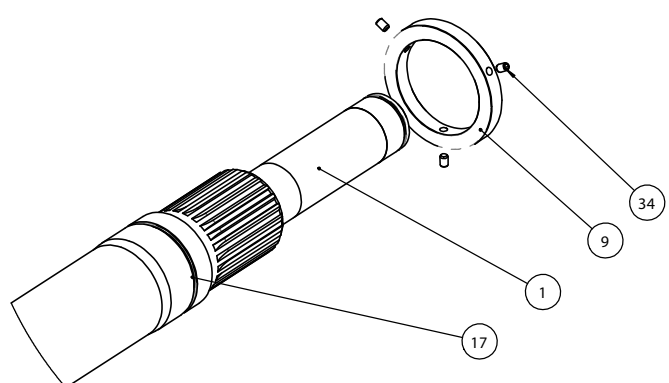




DETAIL A



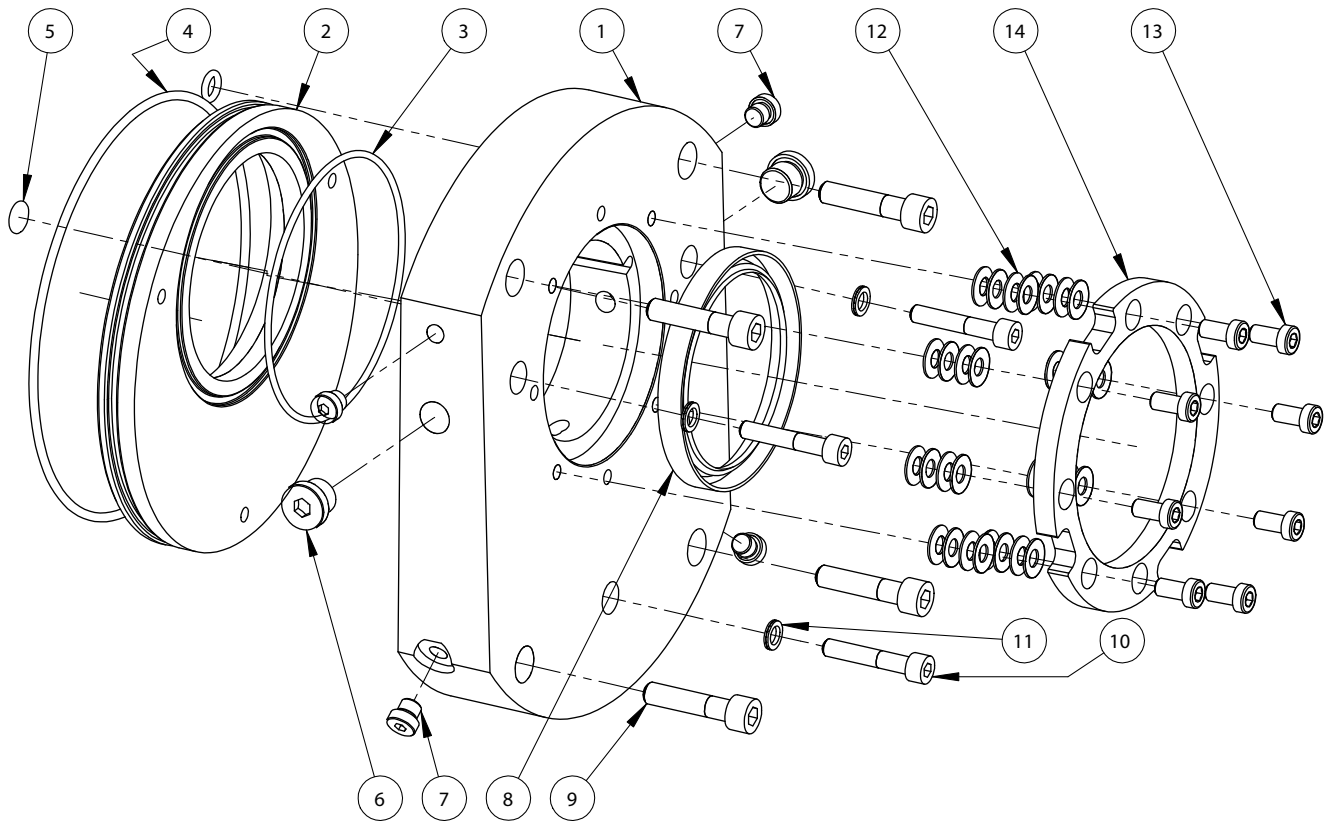
DETAIL B



DETAIL C

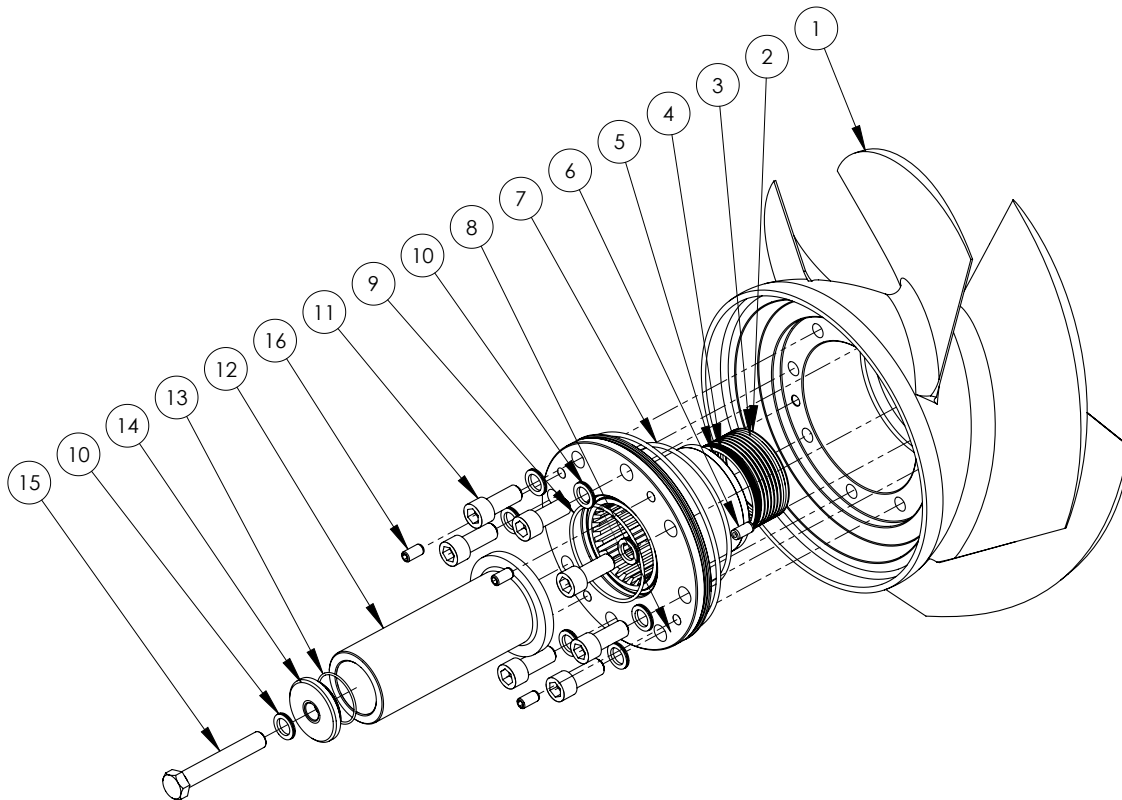
Pos.	Code	Description	Qty
1	11627	Shaft	1
2	11702K	Front plate	1
3	11581	Bearing housing	1
4	11531	Spacer	1
5	11532	Sleeve	1
6	11875	Drive flange	1
7	11534	Locking plate	1
8	11658	Bushing	1
9	11659	Support ring	1
10	L0126	Spherical roller	2
11	12251	Middle flange	1
12	T9012012A	Rotary shaft seal	1
13	L0214	Shaft nut	1
14	L0314	Lock washer MB14	1
15	T9000000	Mechanical seal	1
16	T0720002501	O-ring	1
17	T0780003001	O-ring	1
18	T0600004001	O-ring	1
19	T2793005701	O-ring	1
20	R02160502	Hex socket screw M16	1
21	R01120352	Hex socket screw M12	4
22	R01080802	Hex socket screw M8	4
23	R01060102	Hex socket screw M6	6
24	P0717	Plug VSTI	6
25	P0719	Plug VSTI	4
26	11835	Bracket	1
27	R04100602	Hex screw M10	2
28	R16100002	WL washer M10	2
29	10030	Sleeve	2
30	11876	Belt pulley	1
31	5723	Carbon brush	1
32	R31160002	Locking Nut M16	10
33	R10160002	Washer M16	10
34	R05080102	Set screw M8	3

## 4.1. 12251 Middle flange



Pos.	Code	Description	Qty
1	11561	Middle flange	1
2	11562	Sealing flange	1
3	T1195003001	O-ring	1
4	T0000190	O-ring	1
5	T0000015	O-ring	2
6	P0715	Plug VSTI	2
7	P0723	Plug VSTI	4
8	T9011012	Rotary shaft seal	1
9	R01100452	Hex socket screw M10	4
10	R01080452	Hex socket screw M8	3
11	R16080002	WL washer M8	3
12	K0704	Disc spring	32
13	R03080160	Hex socket screw M8	8
14	11657	Thrustplate	1

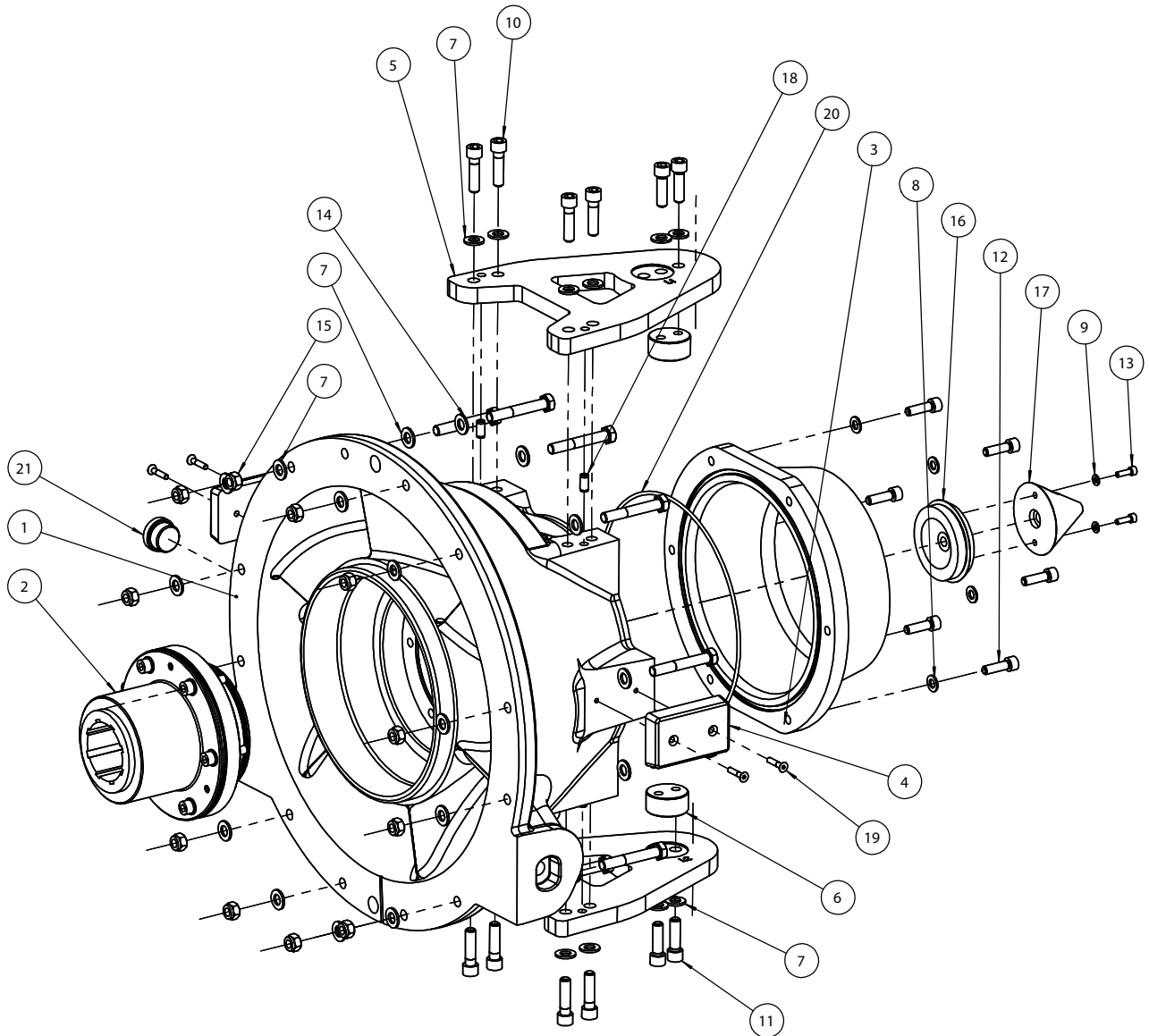
## 5. 42D IMPELLER



Pos.	Code	Description	Qty
1	*	Impeller $\Omega$ 42	1
2	11870	Adjustment washer 1 mm	1
3	11871	Adjustment washer 3 mm	1
4	11872	Adjustment washer 5 mm	1
5	11632	Impeller mounting hub	1
6	10762	Dowel pin	2
7	T13600400	O-ring	1
8	T0000190	O-ring	1
9	T0920003001	O-ring	1
10	R16160002	WL washer M16	9
11	R01160402	Hex socket screw M16	8
12	11937	Sleeve	1
13	T0000047	O-ring	1
14	12197	Locking washer	1
15	R04161002	Hex screw M16	1
16	R06120202	Set screw M12	4

\*Code depends on impeller type

## 6. 42E STATOR



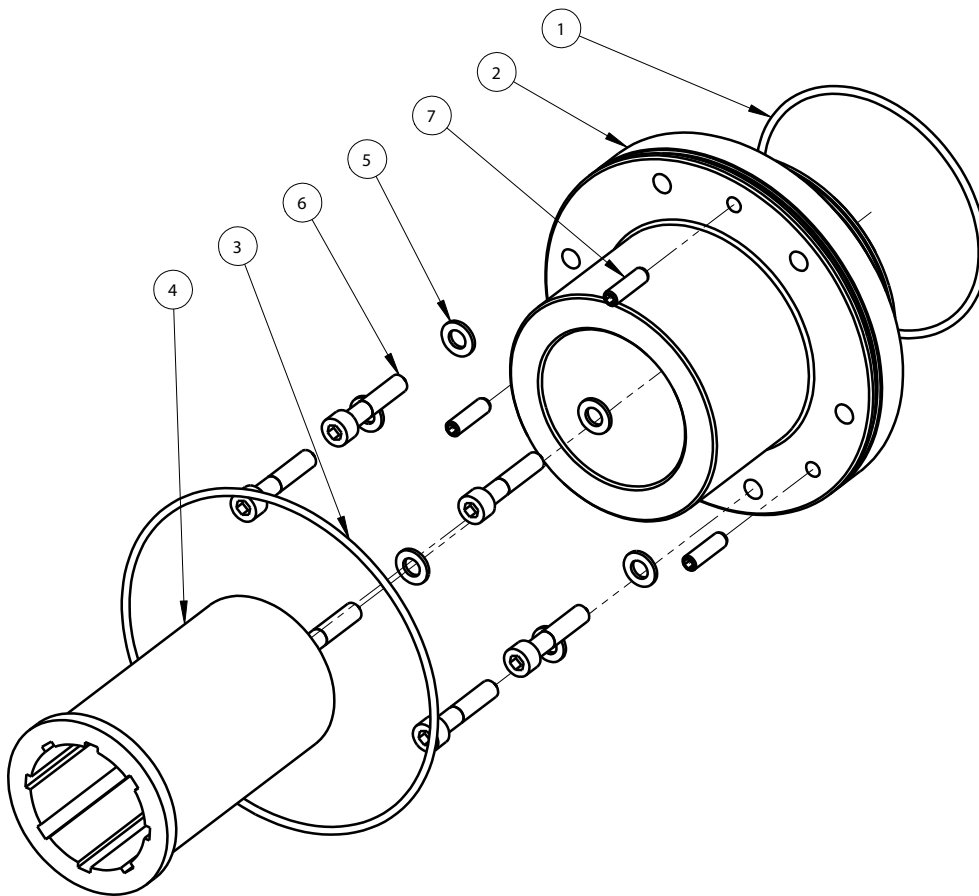
Pos.	Code	Description	Qty
1	12306-WL	Stator 42	1
2	12145	Rear bearing assembly	1
3	*	Choker	1
4	11738	Anode	2
5	12448	Plate	2
6	11778	Axle	2
7	R10120002	Washer M12	36
8	R10100002	Washer M10	6
9	R10060002	Washer M6	2
10	R01120452	Hex socket screw M12	8
11	R01120402	Hex socket screw M12	4
12	R01100352	Hex socket screw M10	6
13	R01060202	Hex socket screw M6	2



14	R04120802	Hex screw M12	12
15	R31120002	Locking Nut M12	12
16	12116	Plug	1
17	12117	Anode	1
18	10762	Dowel pin	4
19	R02060302	Hex socket screw M6	4
20	T2800004001	O-ring	1
21	P0714	Plug VSTI	1

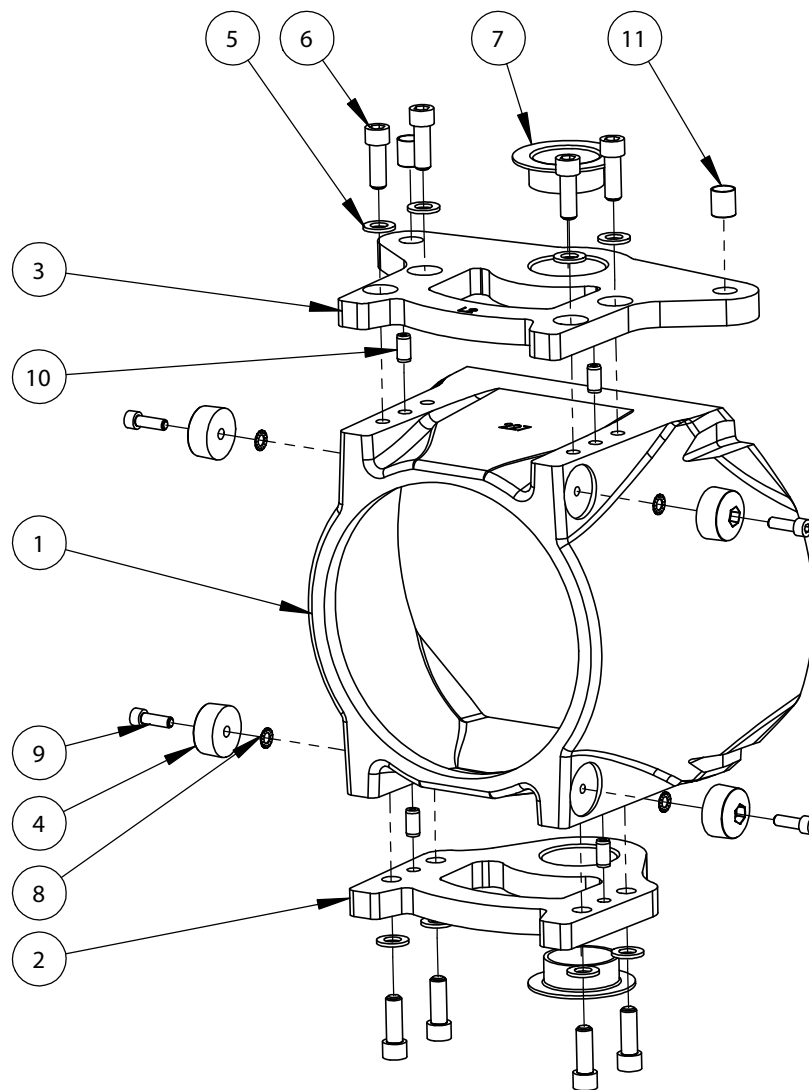
\*Code depends on choker type

### 6.1. 12145 Rear bearing assembly



Pos.	Code	Description	Qty
1	T13600400	O-ring	1
2	11938	Rear bearing housing	1
3	T0000190	O-ring	1
4	L0163	Bearing	1
5	R10100002	Washer M10	6
6	R01100502	Hex socket screw M10	6
7	R05100302	Set screw M10	3

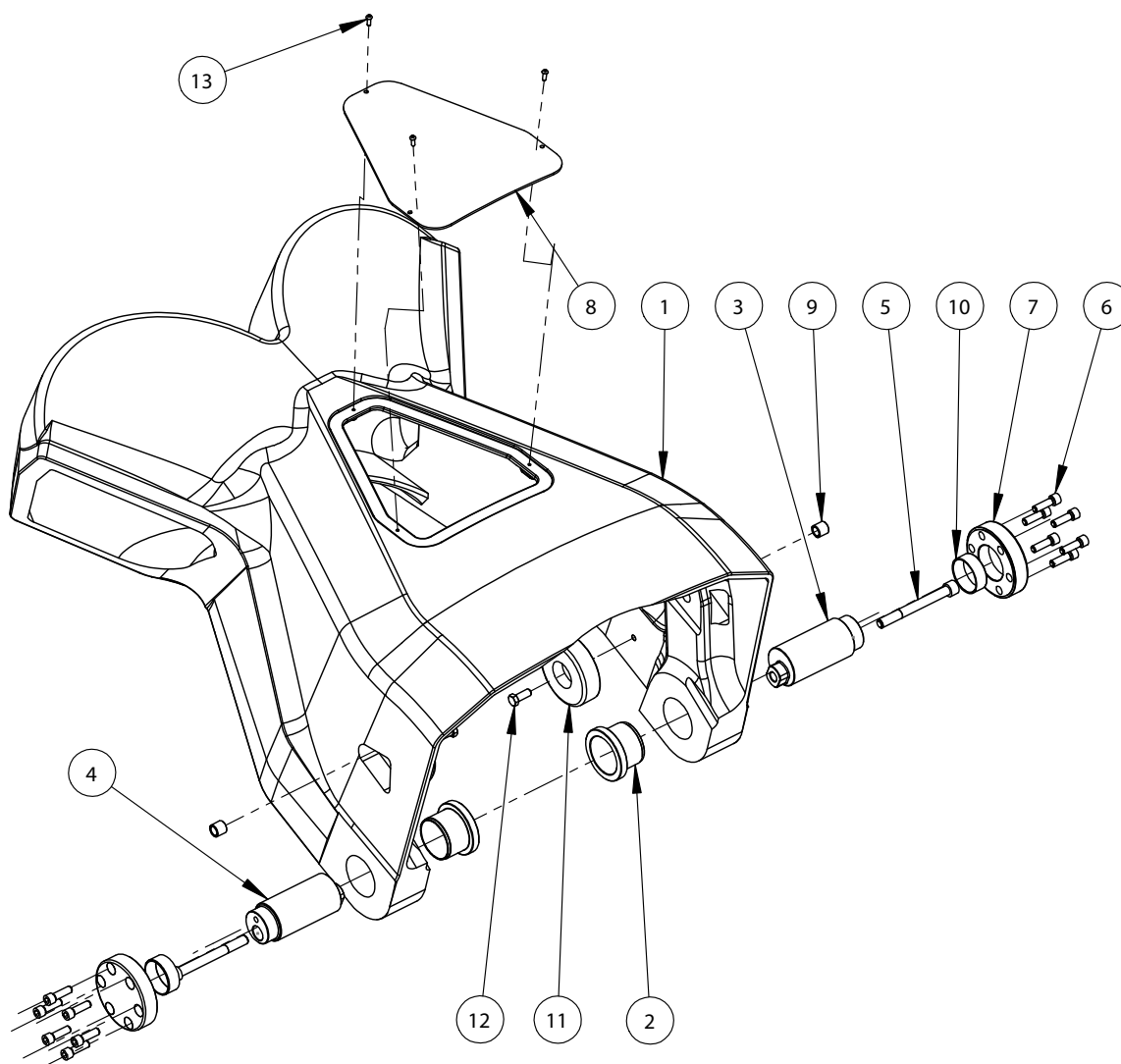
## 7. 42F STEERING NOZZLE



Pos.	Code	Description	Qty
1	*	Steering nozzle	1
2	12450	Plate	1
3	12449K	Plate	1
4	10409	Zinc anode	4
5	R10120002	Washer M12	8
6	R01120352	Hex socket screw M12	8
7	11779	Bearing	2
8	R12080002	SL washer M8	4
9	R01080252	Hex socket screw M8	4
10	10762	Dowel pin	4
11	H0102	Compound bearing	2

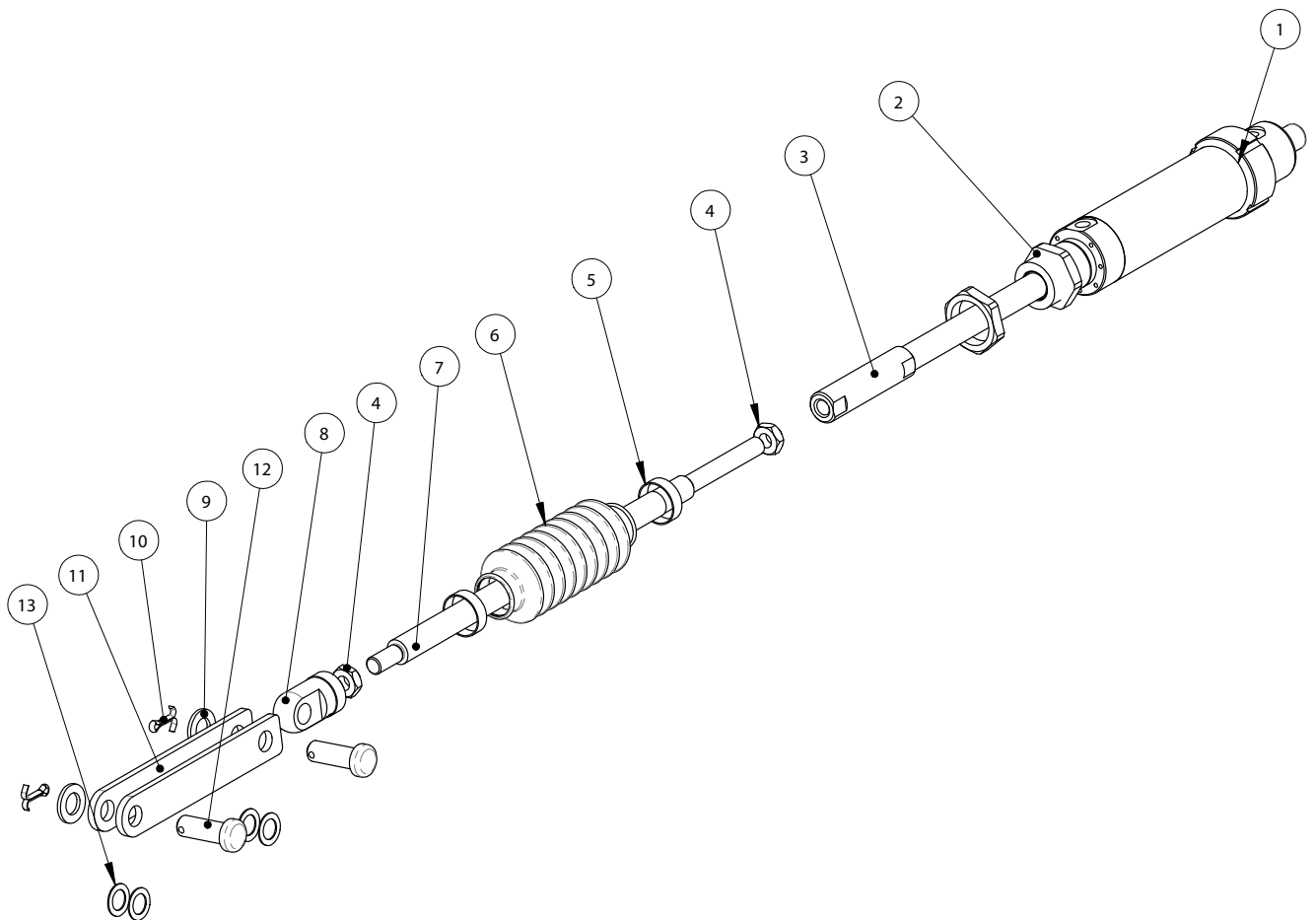
\*Code depends on nozzle type

## 8. 42G REVERSING DEFLECTOR



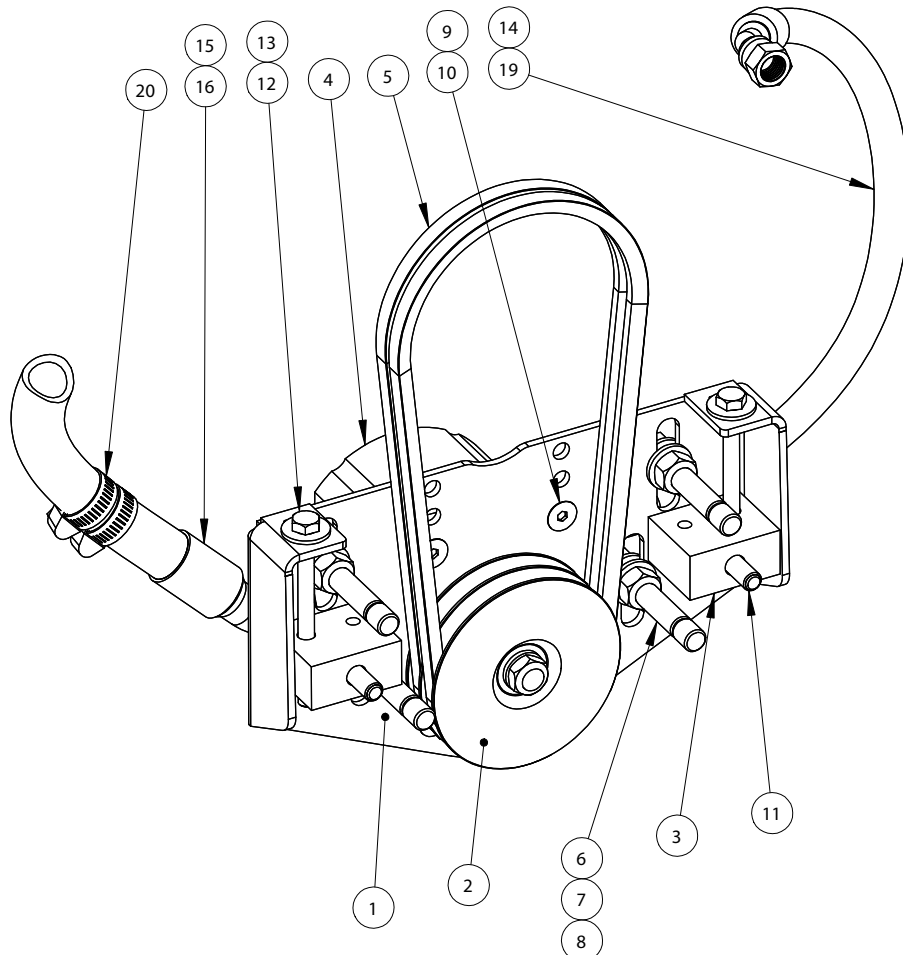
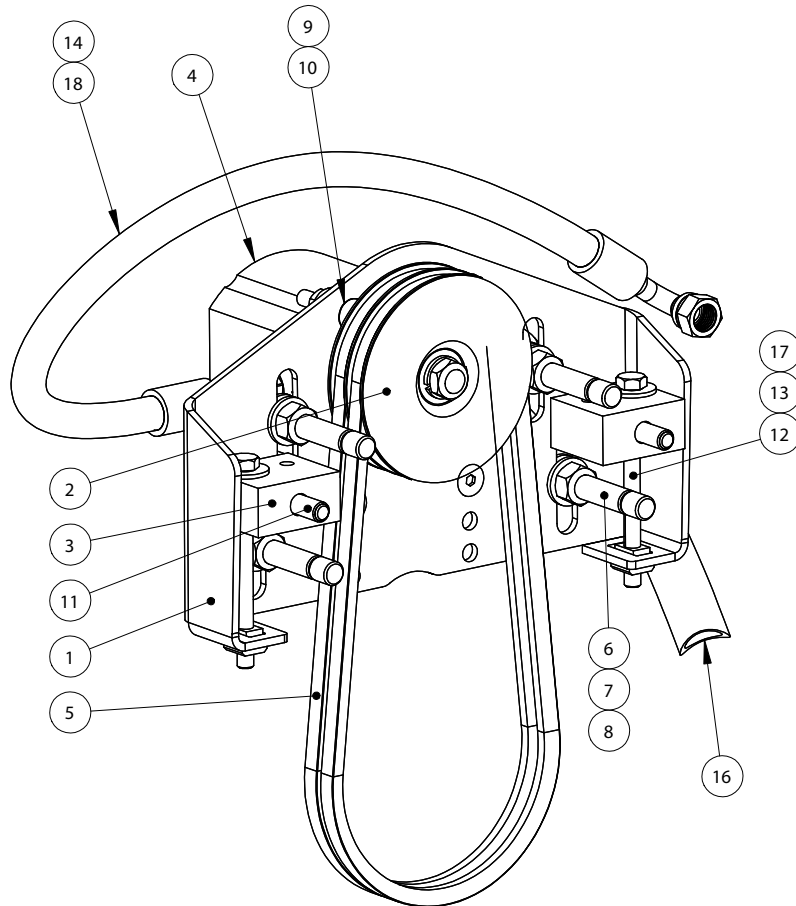
Pos.	Code	Description	Qty
1	11858K	Reversing deflector	1
2	11864	Plastic bearing	2
3	11696P	Pivot pin	1
4	11696SB	Pivot pin	1
5	R01161502	Hex socket screw M16	2
6	R01120402	Hex socket screw M12	12
7	11833	Flange	2
8	11840	Cover plate reverse deflector	1
9	11878	Plastic bearing	2
10	H0414	Compound bearing	2
11	K0539	Anode	2
12	R04120302	Hex screw M12	2
13	R09060162	Hex socket screw M6	3

## 9. 42HB HYDRAULIC CYLINDER



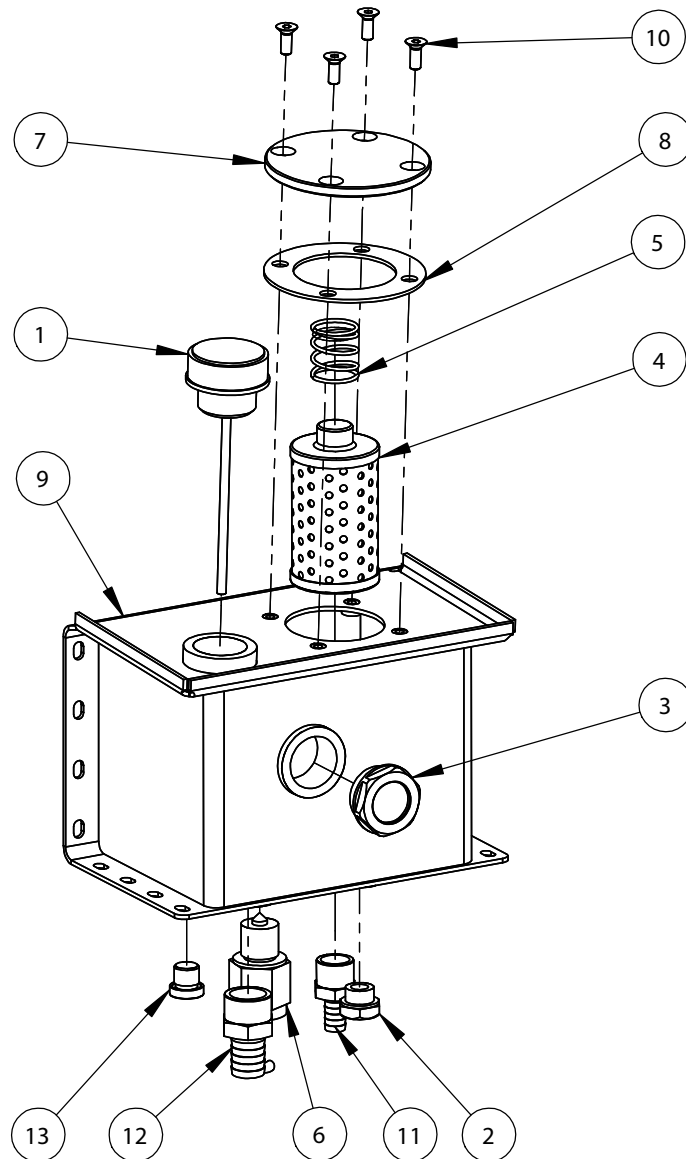
Pos.	Code	Description	Qty
1	115452120700	Hydraulic cylinder	1
2	12149	Nut	2
3	11813	Extension nut	1
4	R30140022	Nut M14	2
5	P0727	Clamp	2
6	P0416	Rubber bellow	1
7	11760	Piston extension rod	1
8	12098	Joint end	1
9	R10160002	Washer M16	2
10	11851	Cotter pin	2
11	11826	Intermediate plate	2
12	11846	Joint pivot	2
13	H0303	Plastic spacer	4

10. 42I OIL PUMP



Pos.	Code	Description	Qty
1	11992	Oil pump bracket	1
2	11927	Belt pulley	1
3	11994	Adjustment support	2
4	5725	Oil pump	1
5	5724	V-belt	2
6	R09120702	Stud bolt M12x70	4
7	R30120002	Nut M12	8
8	R10120002	Washer M12	8
9	R30080002	Nut M8	4
10	R02080402	Hex socket screw M8	4
11	R01100502	Hex socket screw M10	2
12	R04081002	Hex screw M8	2
13	R11080002	LOD washer M8	2
14	P0509	Straight JIC fitting	1
15	P0617	Double nipple	1
16	12240	Hose assembly	1
17	R33080002	T-slot nut M8	2
18	12223	Hose assembly	1
19	12224	Hose assembly	-
20	P0730	Hose clamp	2

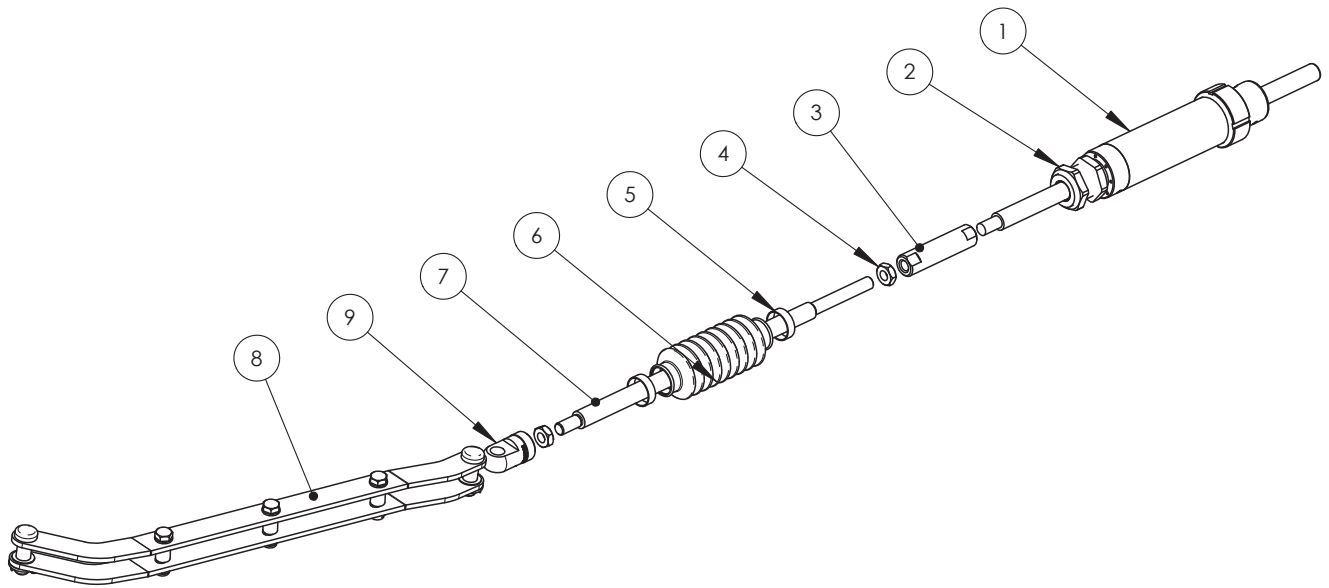
**10.1. 11808A Hydraulic reservoir**



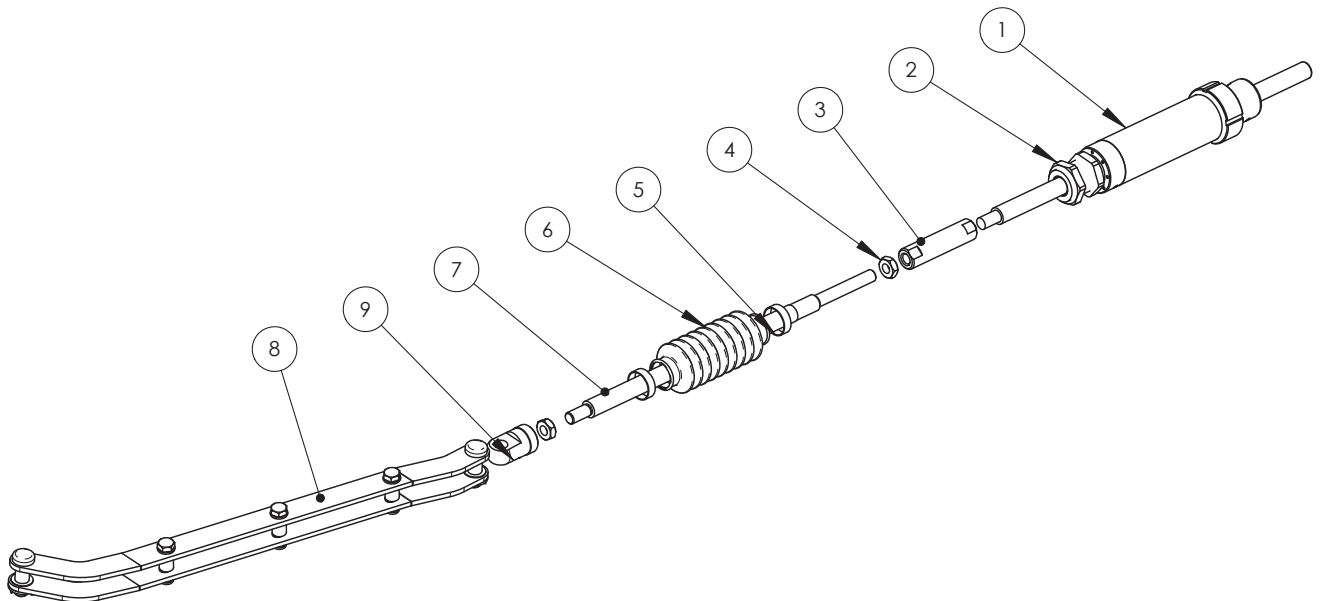
Pos.	Code	Description	Qty
1	P0345	Cap	1
2	P0380	Oil plug	1
3	P0409	Oil level sight glass	1
4	10560	Oil filter	1
5	K0703	Spring	1
6	E0106L	Level switch + connector	1
7	11838	Cover	1
8	11839	Rubber seal	1
9	11860	Oil reservoir	1
10	R02060162	Hex socket screw M6	4
11	P0411	Hose fitting	1
12	P0413	Hose fitting	1
13	P0719	Plug VSTI	1

## 11. 42J HYDRAULIC CYLINDER

### L1- 0DEG IMPELLER SHAFT INCLINATION ANGLE



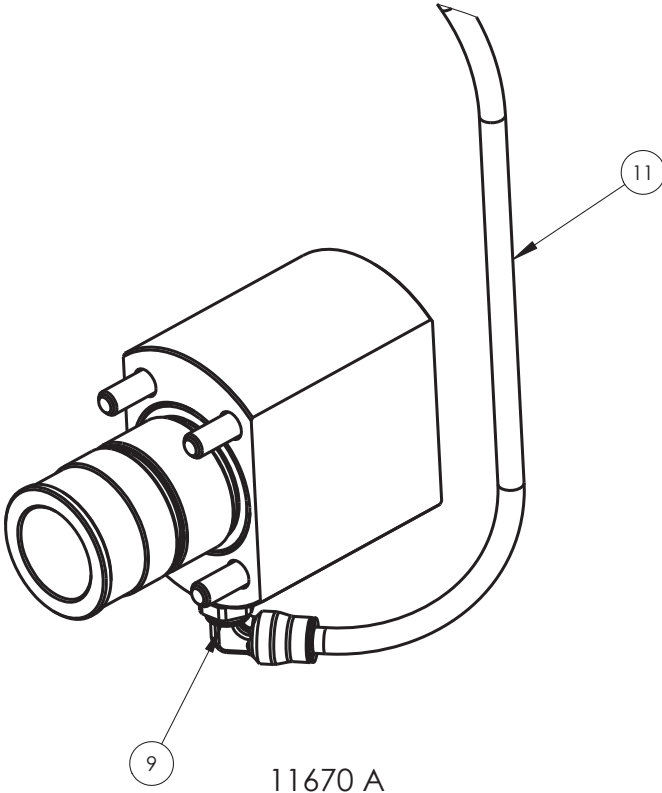
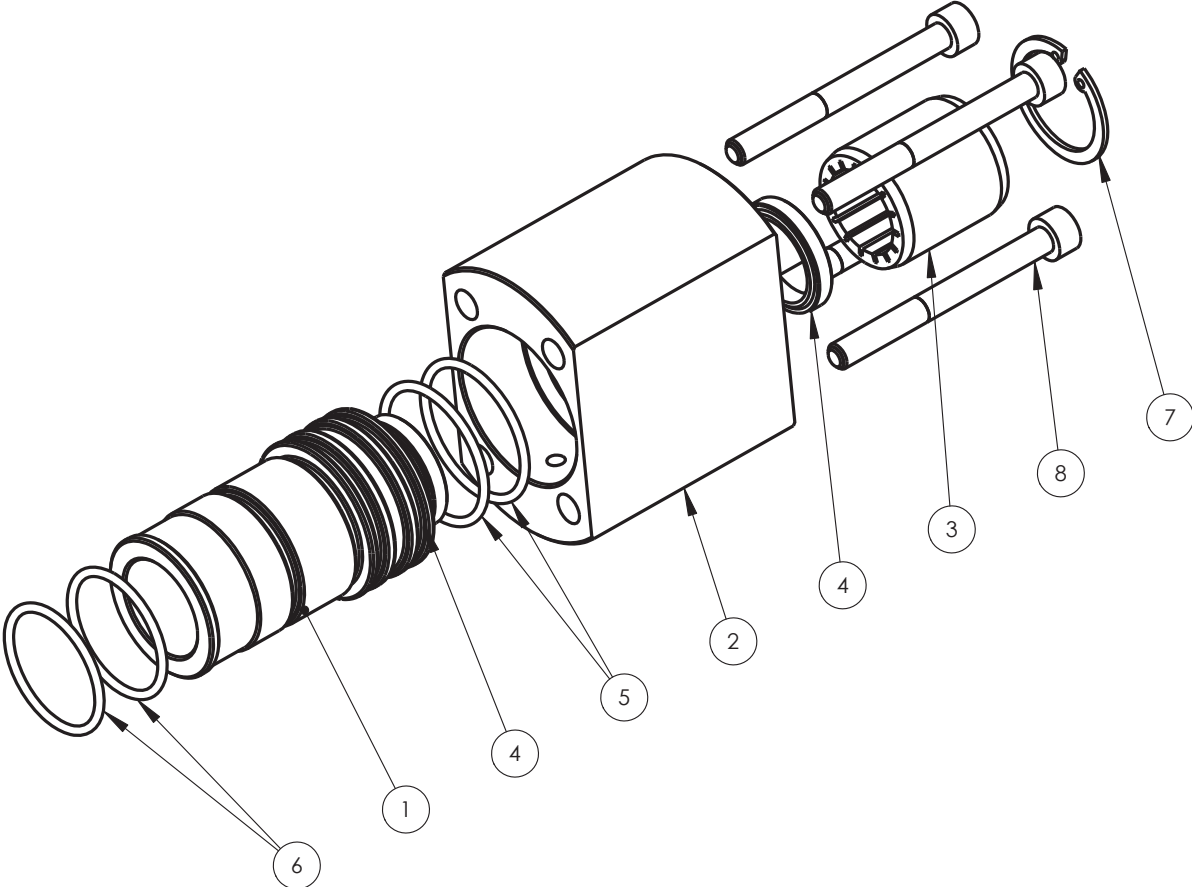
### L2- 4DEG IMPELLER SHAFT INCLINATION ANGLE



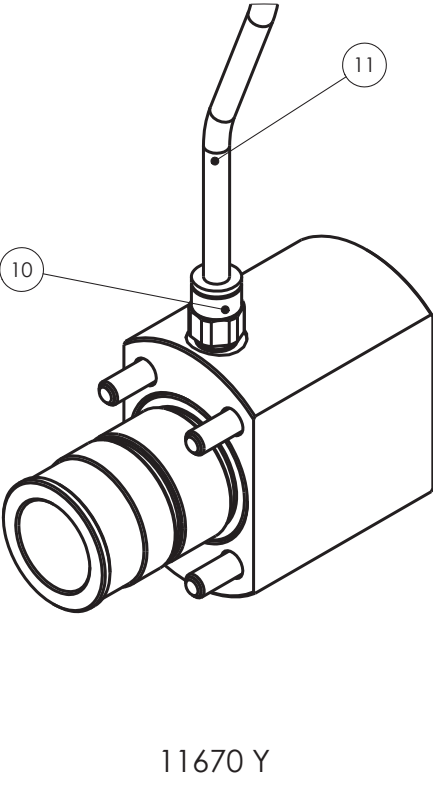
Pos.	Code	Description	Qty
1	115452120700	Hydraulic cylinder	1
2	12149	Nut	2
3	11813	Extension nut	1
4	R30140022	Nut M14	2
5	P0727	Clamp	2
6	P0416	Rubber bellow	1
7	11760	Piston extension rod	1
8	12476-L1	L1 Intermediate bar	1
8	12476-L2	L2 Intermediate bar	1
9	11854	Joint end	1



11.1. 11670 Bushing



11670 A



11670 Y

Pos.	Code	Description	Qty	
1	11672	Seal bushing	1	
2	11671	Bearing bushing	1	
3	RPM-02-20	Slide bearing	1	
4	5773	Wiper	2	
5	T0000030	O-ring	2	
6	T0000027	O-ring	2	
7	L0456	Retaining ring	1	
8	R01060602	Hex socket screw M6	4	
9	P0504	Angle fitting	1	
10	P0505	Straight fitting	-	
11	P0101-0,8	Tube	1	